

## TDXE4466 Curtain Switch Module

### Features:

- Bidirectional communication by power line in high speed with feedback function
- Join with any 86-type switch, and jack. Ultra-slim design. Dimension:46X46X23mm
- Easy use and quick setup and finish learning just within 6 seconds; Use noise suppression circuit inside

### Technical Specification:

- Rated Voltage 220VAC  $\pm$  10%, 50Hz
- Load  $\leq$  50W
- Static Power  $<$  0.5W
- Ambient Temperatures  $-10\sim 50^{\circ}\text{C}$
- Response Time for bidirectional signals  $\leq$  2s

**Set address:** ( please read the specification of high-speed bidirectional communication power line carrier controller first)

Join with traditional switch (must have naught wire in the 86 type panel switch):

After joining with the traditional switch, quickly and continually press up and down the second circuit switch, the traditional switch that the blue wire joins, six times. Enter the study status.

Send the relative room code that you want, the address code and on or off order by controller like TDXE6648 remote controller.

Press the other key to quit study status.

It will exit the address setup status to original status if no order more than 30 seconds.

The room address in original status is **A01**;

### Using Specification:

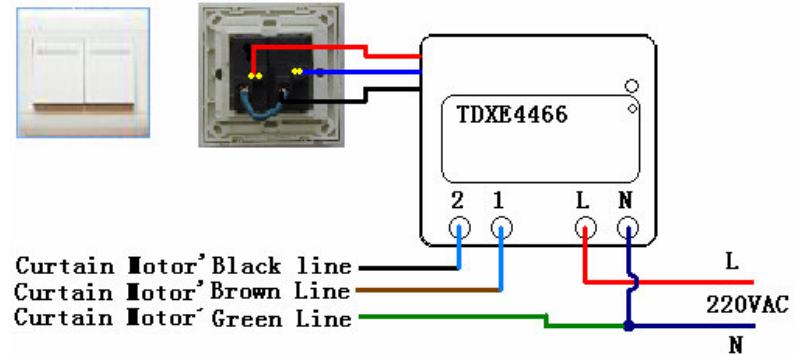
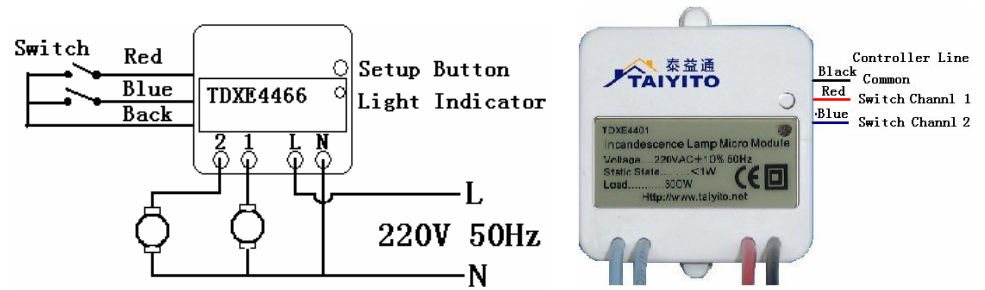
Detail operation after finishing address setup through the controls as follows:

1. Realize local control same as any traditional panel switch
2. Control by any high-speed bidirectional communication power line carrier controller such as wireless remote controller, Wall-Switch Centralized Controller, telephone distance controller, intelligent control center and so on

### Installation:

**Notice: Black wire is the common terminal, red wire is the load of 1 circuit and the blue wire is the load of the 2 circuit.**

Must be connected and installed by the specific man with the wiring diagram. Avoid injury people and product.



- Cut off the electricity supply before installation. Join the wires according to the label of module
- Live wire joins with L terminal of the module
- Naught wire joins with N terminal of the module
- **Loads of curtain electrical machine join with 1 terminal and 2 terminal respectively**
- **Black wire, red wire and blue wire join with any panel switch.**

### Contact Information

**Manufacturer: Taiyito Technology Co., Ltd**

Add: 1505 Rm, No.18 Fenghuli Building ,Anshan West Road, Nankai District 300192 Tianjin China

Manufacture Add: Hongqiao Science and Technology Zone

Tel: 022-27415471 27611356 27421307

Fax: 022-27611356-804 Post Code: 300192

E-mail: info@taiyito.net

Net: [WWW.TAIYITO.NET](http://WWW.TAIYITO.NET)

No notify as any changes of the product design and specification.