

TDXE4401 Incandescence Lamp Micro Module

Features:

- Bidirectional communication by power line in high speed with the feedback function
- Join with any type of switches, and plug-in panel.
- Ultra-slim design. Dimension:46X46X23mm
- Easy use and quick setup. Can finish learning within 6 seconds.
- Use noise filter circuit inside
- Commands ALL ON/OFF for lamps.
- Command ALL OFF for electronic appliances.

Technical Specification:

- Rated Voltage & Frequency: 220VAC±10%, 50Hz
- Maximum Load : ≤300W
- Static Power <0.5W
- Operating Temperature: -10~50℃
- Response Time for bidirectional signals ≤ 2s

Set up the address:

(Notice: Please refer to the specifications of the remote firstly...)

I. Connect with the traditional switch (Need neutral wire inside the switch box)

- Press and hold Setup button for 12 seconds, and the light indicator will flicker 5 times. It shows to connect with the traditional mechanical switch. (illus 1)
- Continuously press one circuit of the switch (up-down) rapidly 6 times. Electrify first load. Now pressing the switch will be no use, which means to enter the address setting state.
- Send the relative signal by controller. (e.g. by TDXE6648 LCD Multi-Function Remote control)

Note: If want to set the electrical appliance module, press the key 'ALL OFF'

If want to set the fluorescent lamp module, press the key 'ALL ON'.

- Send the relative address code by remote.
- After receiving the signal, the first load will cut off. Succeed in learning.
- Same way for setting the second load as the above.

II. Choose the tumbler switch or traditional mechanical switch (No neutral wire inside

the switch box.)

- Install the module with the load (Not in the switch box) .There is only single circuit output under this situation.
- Press and hold Setup button for 12 seconds, and the light indicator will flicker 3 times. It shows to connect with the tumbler switch. (illus 2)
- Reprress the key 'Setup' 5 seconds, the indicator light will bright continually, and then enter the learning status.
- Send the relative address code by remote(e.g. by TDXE6648 LCD Multi-Function Remote control)

Notice:

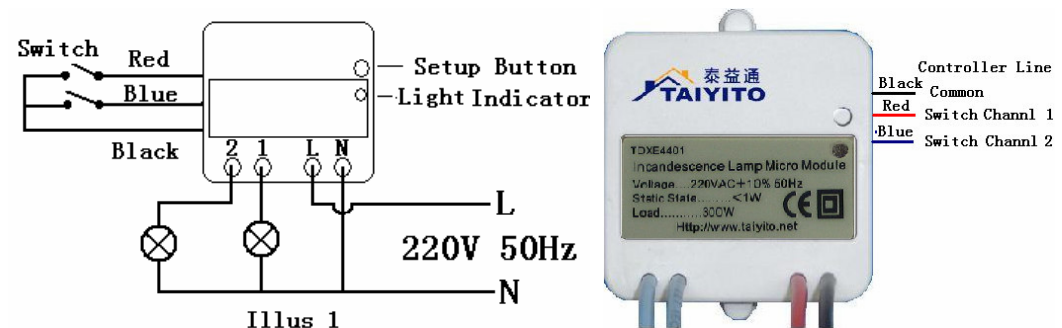
1. If not setup it, the devices will not responds to the command 'ALL ON'.
- 2.The Micro Module will exit the Program Mode to factory setting if no action is taken after 30 seconds (Factory setting: the first circuit show A01)

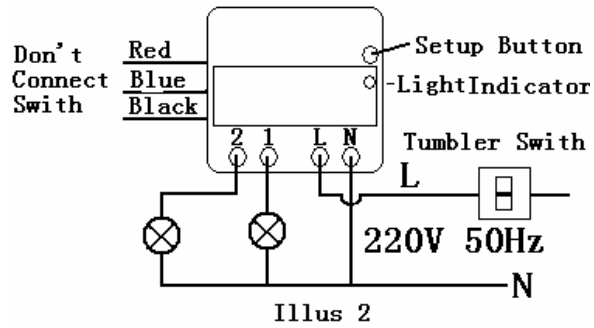
Operation:

After set up the address, you can control it through the methods as bellow:

1. Can realize local control same as any traditional switch.
 - Press one time on the mechanical switch(There is neutral wire in the switch box)
 - Press two times on the mechanical switch(There is no neutral wire in the switch box)
 - Press one time on the tumbler switch (There is no neutral wire in the switch box)
2. Any bidirectional or X10 controllers, such as our wireless remote, wall-switch centralized controller, telephone controller and intelligent control center etc.

Installation:





Connect and install it by the professional persons as the wiring diagram.

Avoid injury to people and products.

- Shut off power.
- Connection line according to label on the module.
 - Module's "L" connects with Live wire.
 - Module's "N" connects with Neutral wire.
 - Load connects with '1' port
- Single-circuit load connects with '1' port

Note: IN Controller Lines: Black is common, Red line "Load 1"

- Black / Red lines are connected to your single-circuit switch.
- Black / Blue / Red lines are connected to your double-circuit switches.

Contact Information

Manufacturer: Taiyito Technology Co., Ltd

Add: 1505 Rm, No.18 Fenghuli Building ,AnshanWest Road, Nankai District 300192 Tianjin
China

Manufacture Add: Hongqiao Science and Technology Zone

Tel: 022-27415471 27611356 27421307

Fax: 022-27611356-804 Post Code: 300192

E-mail: info@taiyito.net

Net: WWW.TAIYITO.NET

No notify as any changes of the product design and specification.