

CYLON

Cylon SiteGuide

The Cylon SiteGuide is a Touchscreen-based keypad device that allows basic supervision of a UnitronUC32 site. The Cylon SiteGuide is a dynamic interface that promotes ease of use for all levels of users.



Intuitive 7 " Colour Touchscreen

Flexible Menu structure ensures site navigation is made easy
The 7" colour screen has easy-click buttons which make the SiteGuide easy to use
Graphical Datalog displays allow for easy interaction and greatly reduces the user's learning curve

Provides for Functional Overview of site including

Text Menus – virtually eliminates errors as users select from clearly defined menus
Setpoints – control of setpoints is facilitated at the touch of a button
Alarms – users can respond quickly
Schedules - step by step fail safe sequences to guide the user
Datalogs – increased operator accuracy reduces engineering time

Mounting

The Cylon SiteGuide is rigid enough to stand up to the harshest of environments. It is durable yet stylish so can be mounted on display in a typical office environment.

DIN Rail mounting kit available
Wall mounting Kit available

Low Engineering Costs

Configured using the UEC Keypad Interface Builder application. The Cylon SiteGuide uses the latest touchscreen technologies so with limited training all types of users can become experts. Users intuitively understand how to use the Cylon SiteGuide interface reducing training time and costs.

Reliable Hardware

Slim – the 7" screen is the major component so all data is clear to the user
Fanless – Cylon SiteGuide removes the need for a fan which ultimately reduces maintenance costs
Rugged – IP65 approved so it can withstand the harshest environments

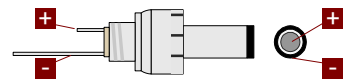
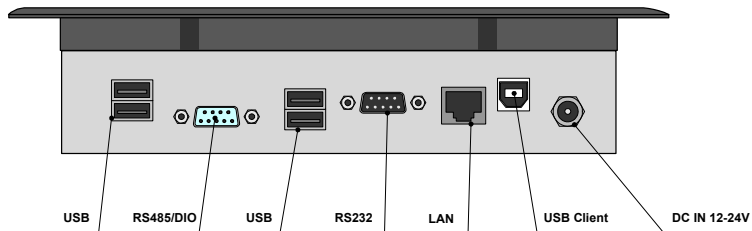
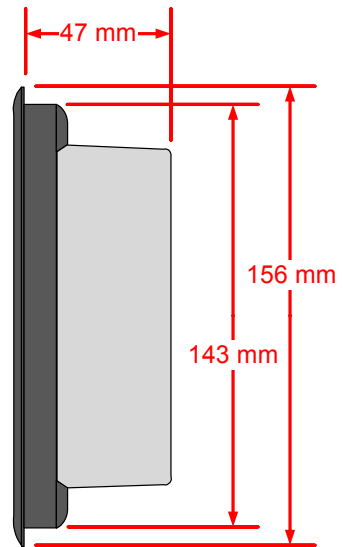
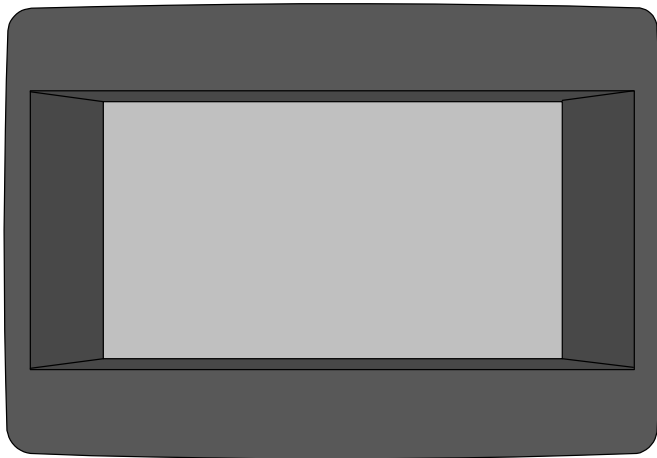
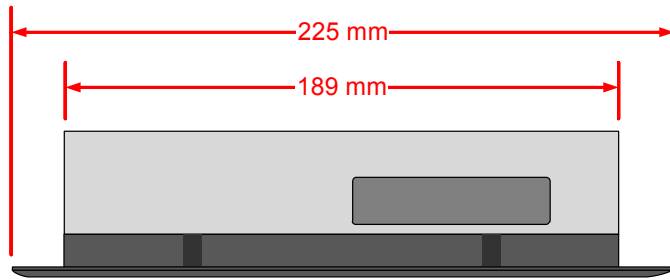
Connects to UC32.netK via 10/100 Base Tx Ethernet



Due to Cylon's policy of continuous improvements these specifications may be upgraded without notice.

UNITRON UC32.
Building Management System

DIMENSIONS



Power Connector ploarity

SPECIFICATIONS

SYSTEM

Processor	312MHz onboard CPU
Ethernet	10/100Base-TX, J-45 connector x1
I/O Port	USB port for upgrade

MECHANICAL

Construction	IP-65 certified Plastic front panel Aluminium back panel
Colour	Front Panel: Black
Mounting	VESA 75
Dimensions	225mm x 156mm x 50mm
Gross weight	3.3 lb (1.5 kg)

ENVIRONMENTAL

Operating Temperature	0 °C~50 °C (32 °F~122 °F)
Storage Temperature	-20 °C~60 °C (-4 °F~140 °F)
Operating Humidity	10 to 90%@ 0 °C, on-condensing
Vibration	Random Operation 1G, ~500Hz
Shock	15G peak acceleration (11 msec. duration)/Operation
Safety	UL60950
EMC	CE/FCC Class A

POWER SUPPLY

Voltage input	12V DC ~ 24V DC (Cylon Recommend a 12VDC 1A Power Supply)
Power Consumption	Max. 20 W (typically 5 W)
Connection	Locking DC Connector Power Plug (part no.: 1S9ZA153) included as standard

LCD

Display Type	7 " 16:9 WQVGA TFT LCD
Max. Resolution	480 x 234
Max. Colour	Full Colours
Type	Touchscreen
Lifetime	10,000 activations

CONFIGURATION

Software	Keypad Interface Builder (Unitron Engineering Centre v6.49 or later)
Compatible controller	UC32.netK version 1.01.47 or later

Note: When the unit is first powered up it will have a default IP address assigned to it. This address must be changed to suit the installation where the SiteGuide is to be used.

To do this, press the back button on the unit and a configuration menu will appear.

Select "IP address" from the menu and enter the required address.

Also set the "Target Address" to the IP address of the Comms Controller containing the appropriate Keypad program

Language Support

Languages used in standard interface	English German Spanish
Supported Character Set	Microsoft CP1252

ACCESSORIES

The following accessories are available for the Cylon SiteGuide:

Din Rail Mount KIT for Cylon SiteGuide	(part no.: 1S9ZA150)
Wall Mounting Kit for Cylon SiteGuide	(part no.: 1S9ZA152)
12 Volt DC 1A PSU DIN RAIL Mountable for Cylon Site Guide	(part no.: 5S9ZA130)
Bench Power Supply (230 V AC to 12 V DC Adapter) for Cylon Site Guide with mains 230 V Power Plug	(part no.: 1S9ZA156)

ABOUT UNITRONUC32

Cylon SiteGuide is part of the UnitronUC32 range of products, which offers the following benefits:

Unique Flexibility with UniPut™ I/O

The UnitronUC32 range uniquely presents UniPut I/O, a revolutionary answer to flexible point configuration, offering maximized utilisation of controller capacity along with flexibility in strategy changes. Built on a modern, web-based architecture, the UnitronUC32 range has a wide application scope with the flexibility of being stand-alone or network enabled. Easily customisable, the UnitronUC32 range has optional internal or external keypads for a powerful yet user-friendly interface, matched by extensive monitoring and logging capabilities.

The right integration at the right level

The Unitron UC32 solution provides a wide choice of integration options including BACnet, Modbus, M-Bus, KNX, and OPC. Cylon's philosophy is to provide an open system that is truly future proof. With Modbus, M-Bus and KNX, Cylon offers high performance Fieldbus integration. BACnet is the international standard that provides peer to peer integration over TCP/IP. OPC Server extends UnitronUC32 integration beyond building services.